



Illustrated Parts List

Model Series

92200

TYPE NUMBERS
0007 through 1249.

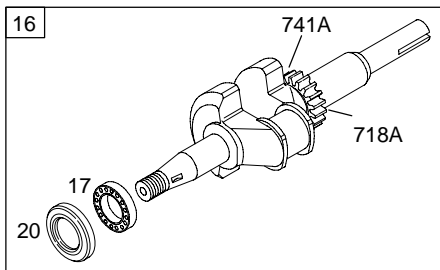
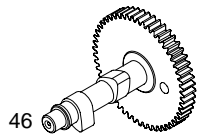
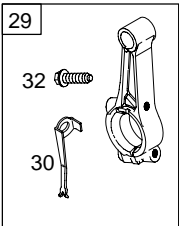
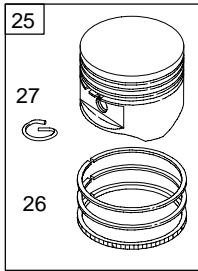
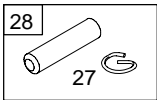
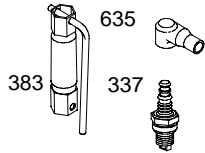
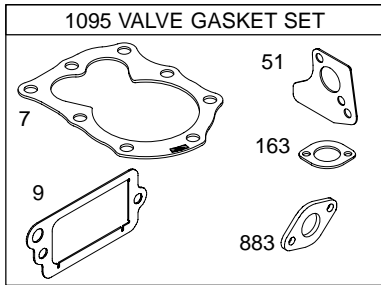
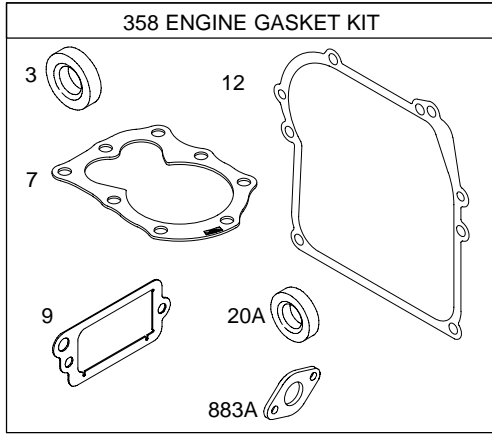
TABLE OF CONTENTS

Air Cleaner	6
Blower Housing	8
Cam	2
Carburetor	4
Controls	5
Crankcase Cover/Sump	3
Crankshaft	2
Cylinder	2
Flywheel	7
Fuel Tank	4
Gear Reduction	3
Governor Spring	5
Head	2
Ignition	5
Kits/Gaskets-Carburetor	4
Kits/Gaskets-Valves	2
Muffler	6
Piston	2
Rewind Starter	7
Rewind Starter/Blower Housing	8
Valves	2

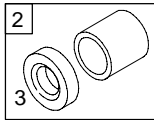
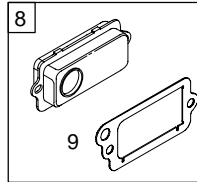
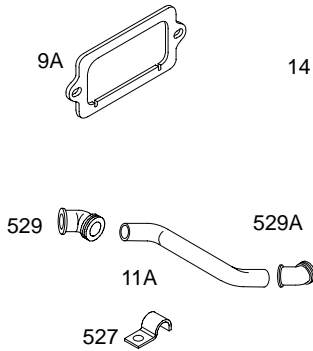
PRINTED IN U.S.A.



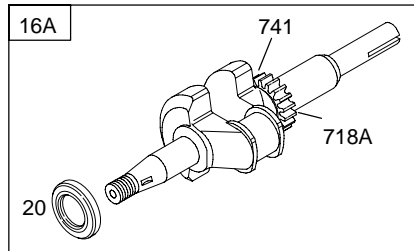
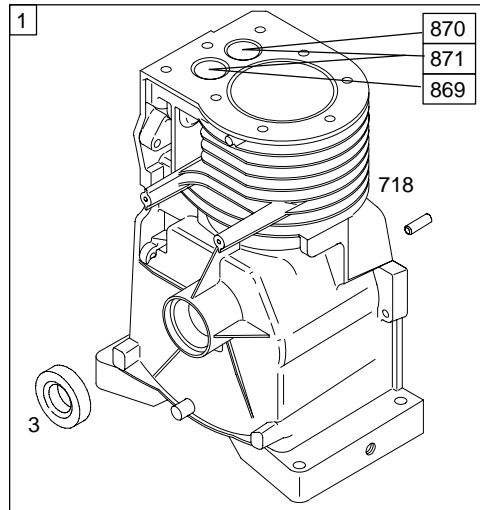
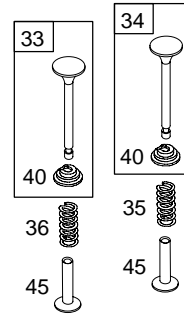
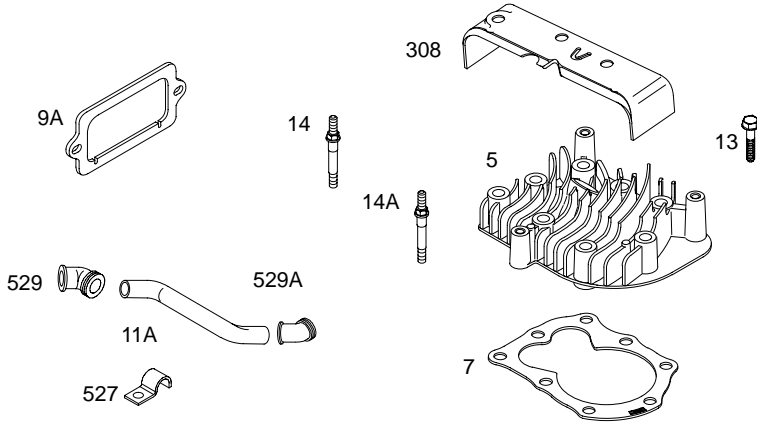
COPYRIGHT by BRIGGS & STRATTON CORPORATION
All rights reserved. No part of this material may be reproduced or transmitted, in any form or by any means, electronic or mechanical, including photocopying, recording or by any information storage and retrieval system, without permission in writing from Briggs & Stratton Corporation.



1330 REPAIR MANUAL

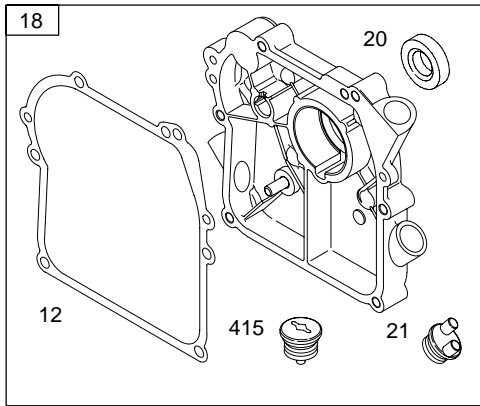


1058 OWNER'S MANUAL

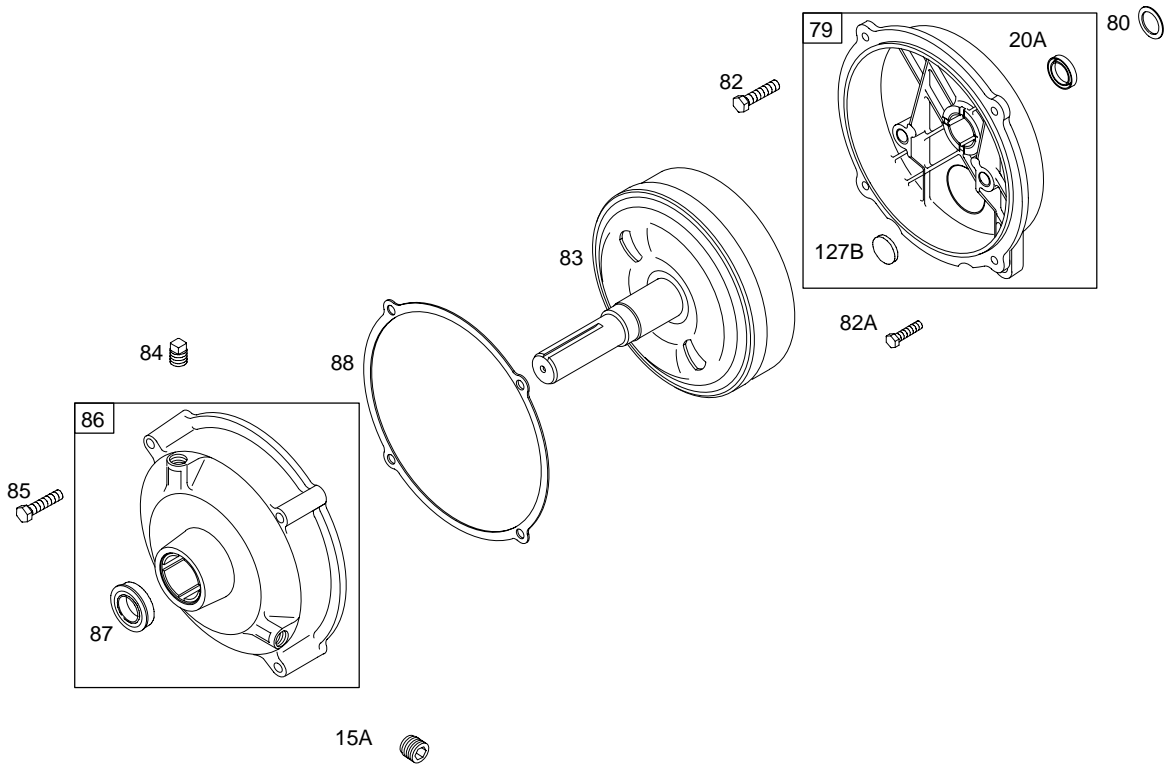
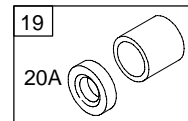
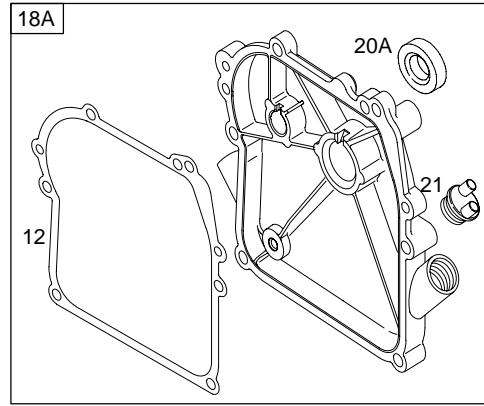


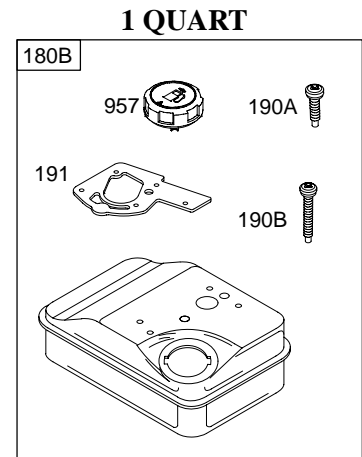
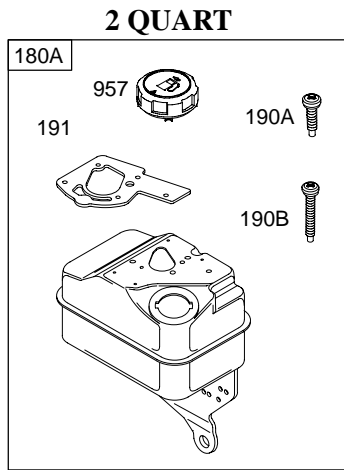
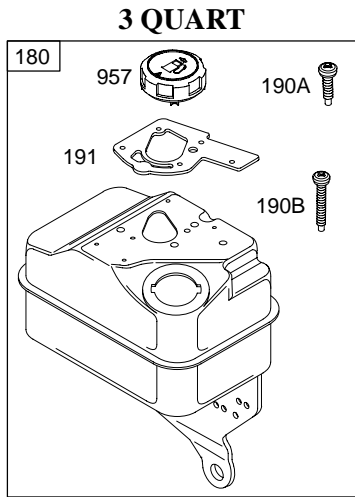


BALL BEARING



PLAIN BEARING





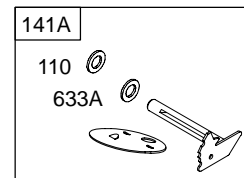
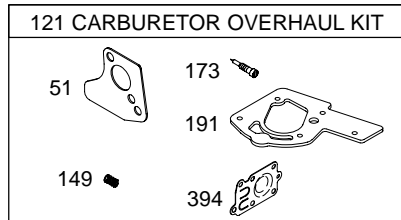
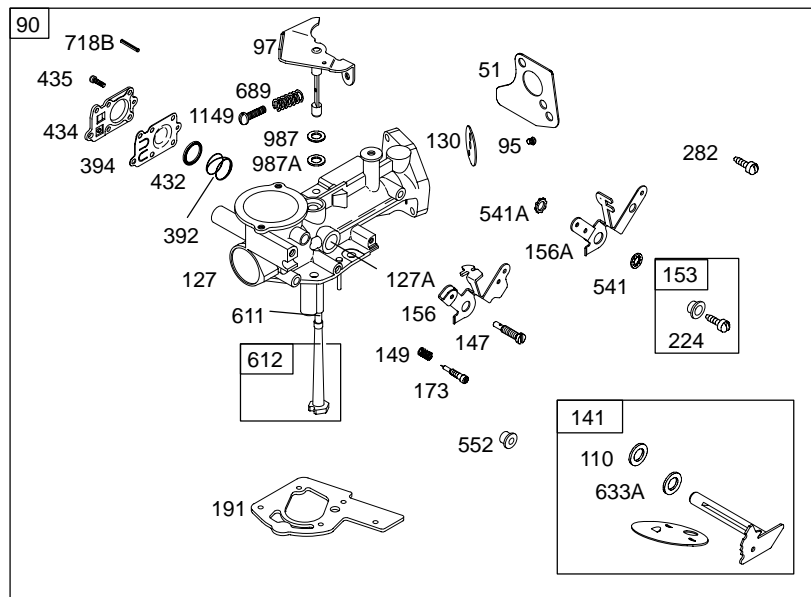
Carburetor Mounting Surface

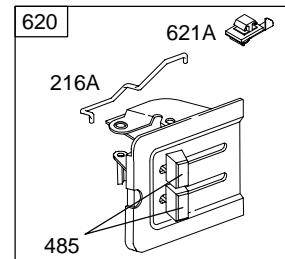
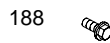
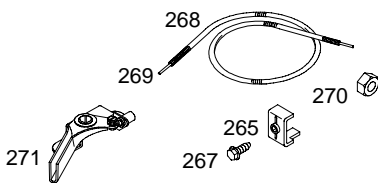
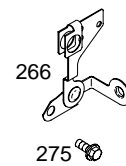
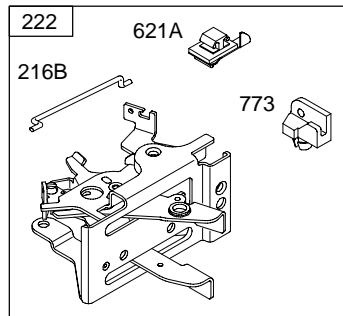
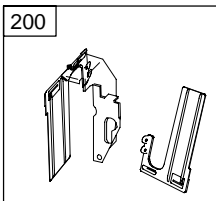
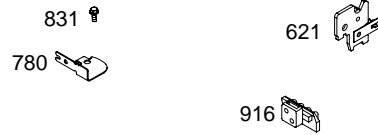
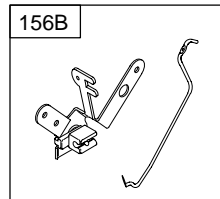
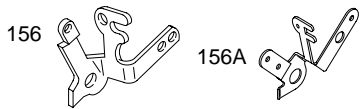
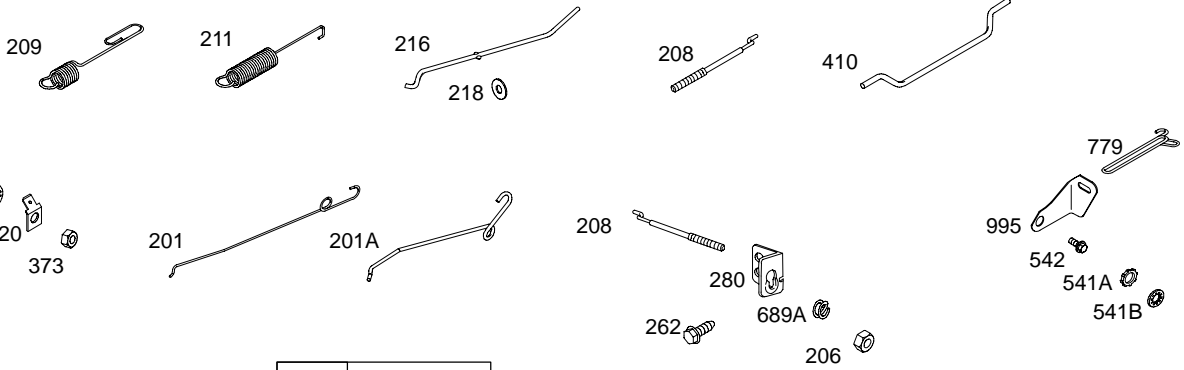
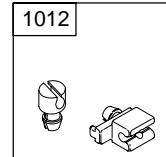
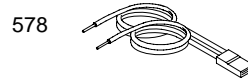
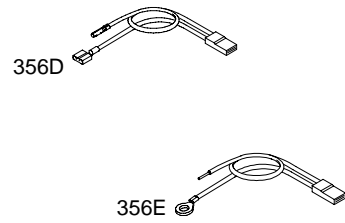
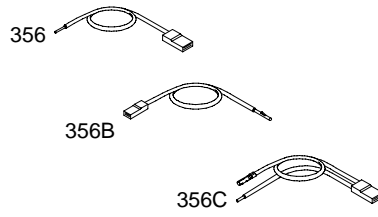
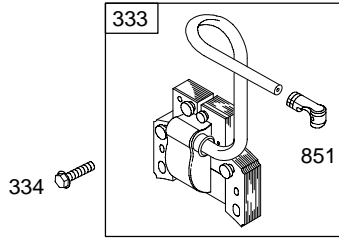
Pickup Tube

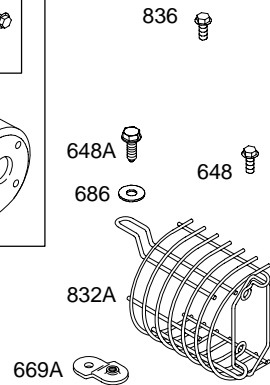
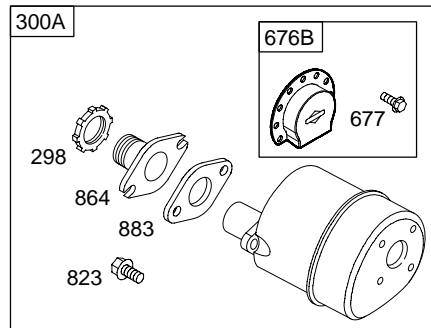
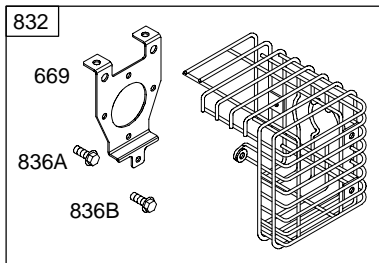
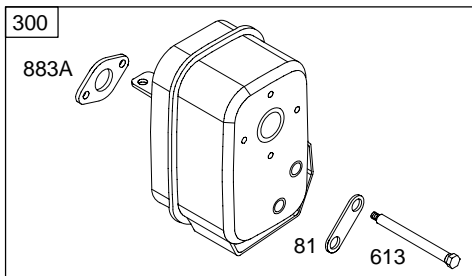
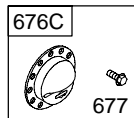
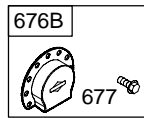
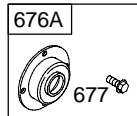
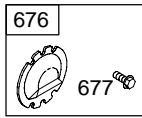
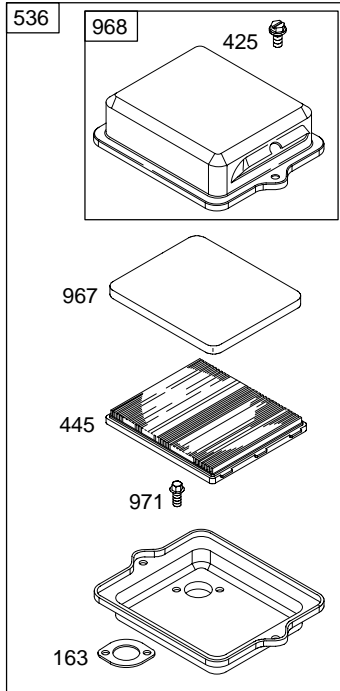
D

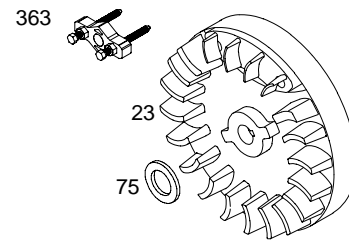
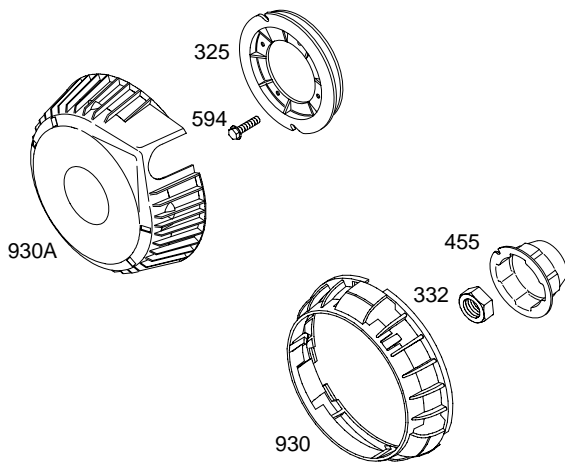
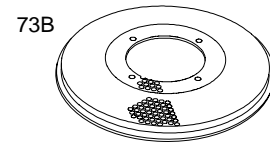
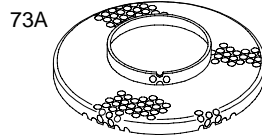
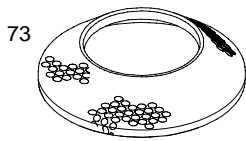
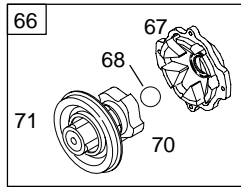
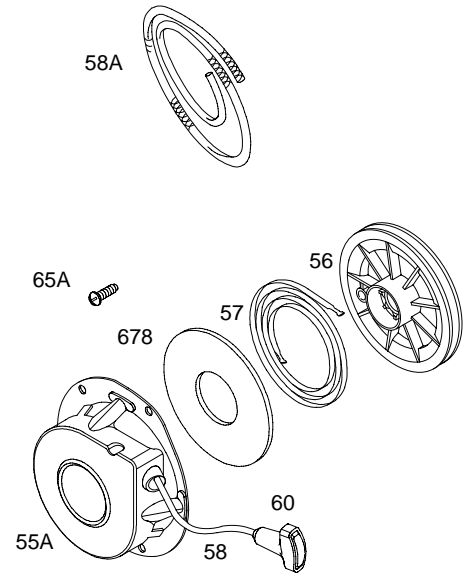
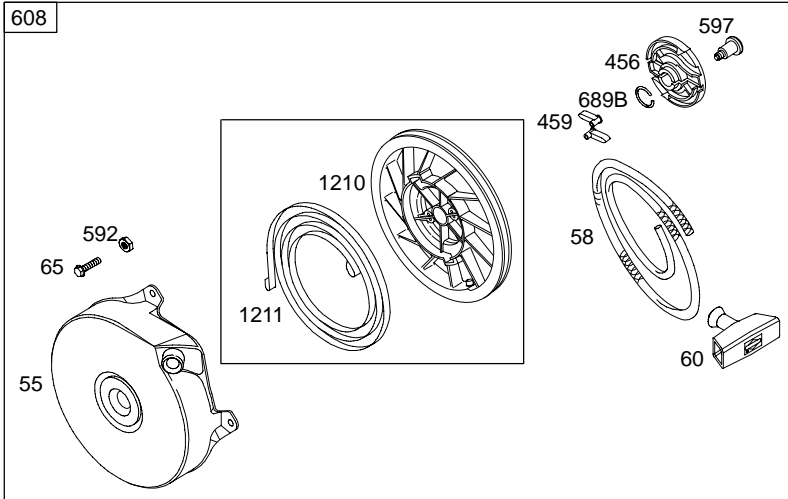
To replace carburetor assembly, determine fuel tank capacity as shown.

Fuel Tank Capacity (Quarts)	1	2	3
D (Inches)	2-5/16"	4-1/4"	4-7/8"

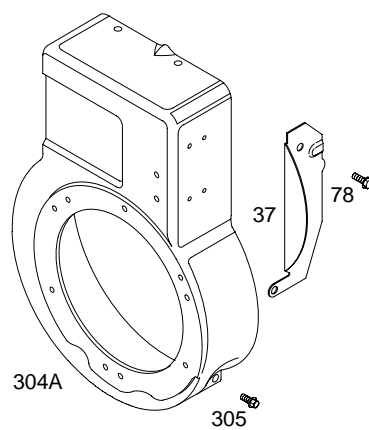
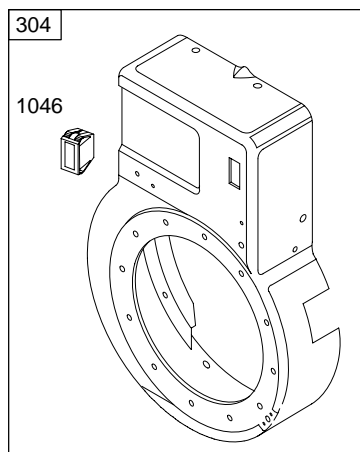
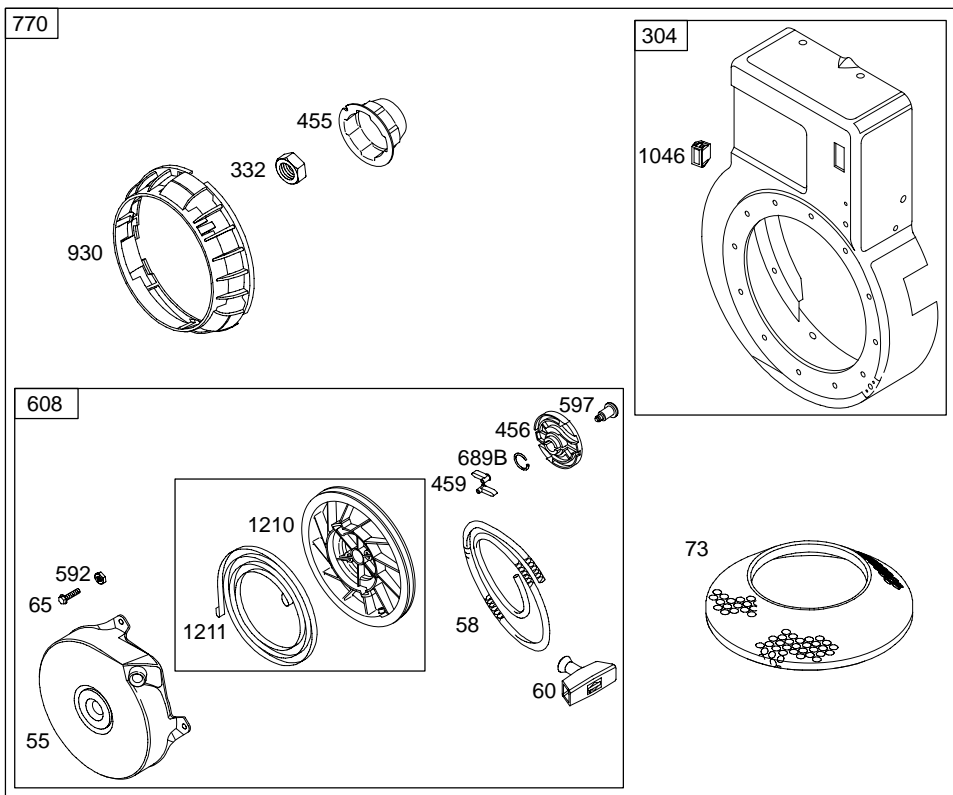








1036 EMISSIONS LABEL



REF. NO.	PART NO.	DESCRIPTION	REF. NO.	PART NO.	DESCRIPTION	REF. NO.	PART NO.	DESCRIPTION
1	695162	Cylinder Assembly (Used After Code Date 99103100). ----- Note ----- 497333 Cylinder Assembly (Used Before Code Date 99110100).	16	497232	Crankshaft Used on Type No(s). 0040, 0100, 0118, 0133, 0138, 0142. ----- Note ----- 791421 Crankshaft Used on Type No(s). 1007, 1035, 1230, 1241, 1243, 1244, 1245, 1247, 1249.			----- Note ----- 496679 Cover– Crankcase (Plain Bearing Cover) Used on Type No(s). 0049, 0127, 0129, 0133, 0137, 1049, 1227, 1229, 1237, 1246.
2	399269	Kit–Bushing/Seal (Magneto Side)				19	399269	Kit–Bushing/Seal (PTO Side) (Plain Bearing Cover)
3	*299819	Seal–Oil (Magneto Side)				20	692020	Seal–Oil (PTO Side) (Plain Bearing Cover)
5	790169	Head–Cylinder				20A	*299819	Seal–Oil (PTO Side) (Ball Bearing Covers)
7	*Ø698717	Gasket–Cylinder Head				21	281658	Cap–Oil Fill
8	699448	Breather Assembly				22	691129	Screw (Crankcase Cover/Sump) ----- Note ----- 693732 Screw (Crankcase Cover/Sump) (Used in Positions 1 and 6) Used on Type No(s). 1049, 1227, 1229, 1237, 1246. 691127 Screw (Crankcase Cover/Sump) (Used in Position 6) Used on Type No(s). 0049, 0127, 0129, 0133, 0137.
9	695890	Gasket–Breather (Used After Code Date 03031900).				23	690843	Flywheel ----- Note ----- 692009 Flywheel Used on Type No(s). 0135, 1235. 699573 Flywheel Used on Type No(s). 0133, 0138, 0141, 0142, 1238, 1241, 1242. 791119 Flywheel Used on Type No(s). 1238, 1241, 1242, 1249.
9A	27549	Gasket–Breather (Used Before Code Date 03032000).	16A	791414	Crankshaft Used on Type No(s). 1246. ----- Note ----- 493599 Crankshaft Used on Type No(s). 0049, 0127, 0129, 0137. 495210 Crankshaft Used on Type No(s). 0008, 0036, 0123, 0135, 0136. 691474 Crankshaft Used on Type No(s). 1242. 690821 Crankshaft Used on Type No(s). 0007, 0035, 0121, 0122, 0128, 0130, 0134, 0139, 0140, 0141. 791422 Crankshaft Used on Type No(s). 1049, 1227, 1229, 1237.			
10	691666	Screw (Breather Assembly)						
11A	692528	Tube–Breather						
12	*692218	Gasket–Crankcase (.015" Thick, Standard) ----- Note ----- *270895 Gasket– Crankcase (.005" Thick) *270896 Gasket– Crankcase (.009" Thick)						
13	691640	Screw (Cylinder Head)						
14	690361	Stud (Cylinder Head) (1 15/16" Long)						
14A	691120	Stud (Cylinder Head) (1 7/32" Long)						
15	691686	Plug–Oil Drain	17	690824	Ball Bearing			
15A	691682	Plug–Oil Drain (Gear Reduction)	18	497502	Cover–Crankcase (Ball Bearing Cover)			
			18A	699406	Cover–Crankcase (Plain Bearing Cover) Used on Type No(s). 0142, 1242.			
						24	222698	Key–Flywheel

* Engine Gasket Set–Reference 358
● Carburetor Overhaul Kit–Reference 121

Ø Valve Gasket Set–Reference 1095

92200

REF. NO.	PART NO.	DESCRIPTION	REF. NO.	PART NO.	DESCRIPTION	REF. NO.	PART NO.	DESCRIPTION
25	790908	Piston Assembly (Standard) (Used After Code Date 05051800). ----- Note ----- 498668 Piston Assembly (Standard) (Used After Code Date 96012800 and Before Code Date 05051900). 496869 Piston Assembly (Standard) (Used Before Code Date 96012900). 298906 Piston Assembly (.020" Oversize) (Used Before Code Date 96012900). 498671 Piston Assembly (.030" Oversize) (Used After Code Date 96012800 and Before Code Date 05051900). 298907 Piston Assembly (.030" Oversize) (Used Before Code Date 96012900).			399067 Ring Set (Standard) (Used Before Code Date 96012900). 695171 Ring Set (.010" Oversize) (Used After Code Date 99103100 and Before Code Date 05051900). 695172 Ring Set (.020" Oversize) (Used After Code Date 99103100 and Before Code Date 05051900). 498682 Ring Set (.020" Oversize) (Used After Code Date 96012800 and Before Code Date 99110100). 399015 Ring Set (.020" Oversize) (Used Before Code Date 96012900). 695173 Ring Set (.030" Oversize) (Used After Code Date 99103100 and Before Code Date 05051900). 498683 Ring Set (.030" Oversize) (Used After Code Date 96012800 and Before Code Date 99110100). 399016 Ring Set (.030" Oversize) (Used Before Code Date 96012900). 27 691588 Lock-Piston Pin 28 699659 Pin-Piston (Standard) (Used After Code Date 05051800). ----- Note ----- 298909 Pin-Piston (Standard) (Used Before Code Date 05051900). 298908 Pin-Piston (.005" Oversize) (Used Before Code Date 05051900).			29 699655 Rod-Connecting (Used After Code Date 05051800). ----- Note ----- 294367 Rod-Connecting (Standard) (Used Before Code Date 05051900). 30 691719 Dipper-Connecting Rod 32 691664 Screw (Connecting Rod) 33 497871 Valve-Exhaust 34 296677 Valve-Intake 35 690520 Spring-Valve (Intake) 36 690520 Spring-Valve (Exhaust) 37 690463 Guard-Flywheel 40 692194 Retainer-Valve 45 691762 Tappet-Valve 46 691998 Camshaft 51★●273113 Gasket-Intake 55 692144 Housing-Rewind Starter 55A 393576 Housing-Rewind 56 280439 Pulley-Starter 57 490179 Spring-Rewind Starter 58 691921 Rope-Starter (70" Long) 58A 280406 Rope-Starter (82" Long) 60 691915 Grip-Starter Rope 65 690837 Screw (Rewind Starter) 65A 690338 Screw (Rewind Starter) 66 399671 Clutch-Starter (Used Before Code Date 97060600). 67 394897 Housing-Clutch 68 691604 Ball-Clutch 70 691945 Ratchet-Clutch 71 691359 Cover-Ratchet
26	790909	Ring Set (Standard) (Used After Code Date 05051800). ----- Note ----- 695169 Ring Set (Standard) (Used After Code Date 96012800 and Before Code Date 05051900). 498680 Ring Set (Standard) (Used After Code Date 96012800 and Before Code Date 99110100).						

★ Engine Gasket Set-Reference 358
● Carburetor Overhaul Kit-Reference 121

∅ Valve Gasket Set-Reference 1095

REF. NO.	PART NO.	DESCRIPTION	REF. NO.	PART NO.	DESCRIPTION	REF. NO.	PART NO.	DESCRIPTION		
73	699850	Screen-Rotating (Used After Code Date 04032800).	90	495459	Carburetor (2 Quart Tank) ----- Note -----	149	●691592	Spring-Needle Valve		
73A	694018	Screen-Rotating (Used Before Code Date 04032900 and After Code Date 02060200).		499952	Carburetor (2 Quart Tank) Used on Type No(s). 1007, 1035, 1036, 1040, 1049, 1200, 1229, 1230, 1237, 1238, 1241, 1242, 1243, 1244, 1245, 1246, 1249.	153	490501	Kit-Collar/Screw		
73B	691725	Screen-Rotating		495460	Carburetor (3 Quart Tank) Used on Type No(s). 0008, 0118, 0123, 0127, 0135, 0136.	156	690439	Lever-Speed Adjuster		
74	691627	Screw (Rotating Screen) (7/16" Long)		499953	Carburetor (3 Quart Tank) Used on Type No(s). 1008, 1218, 1227, 1235.	156A	690438	Lever-Speed Adjuster		
74A	691692	Screw (Rotating Screen) (1/2" Long) Used on Type No(s). 0007, 0122, 0137.		499492	Carburetor (1 Quart Tank) Used on Type No(s). 1247.	156B	492905	Lever-Speed Adjuster		
75	691736	Washer (Flywheel) (Used Before Code Date 97063000).	95	691437	Screw (Throttle Valve)	163	★Ø271935	Gasket-Air Cleaner		
78	690364	Screw (Flywheel Guard)	97	692018	Shaft-Throttle	170	691120	Stud (Crankcase Cover/Sump) (Used in Position 1) Used on Type No(s). 0035, 0036, 0040, 0130, 1035, 1036, 1040, 1230.		
79	690605	Case-Gear Reduction	110	690401	Washer (Choke Shaft) (Brass)	173	●691777	Valve-Idle Mixture		
80	691602	Gasket-Gear Case	110A	691869	Washer (Choke Shaft) (Felt)	180	495388	Tank-Fuel (3 Quart) Used on Type No(s). 0008, 0127. ----- Note -----		
81	691179	Lock-Muffler Screw		121	495606	Kit-Carburetor Overhaul	180A	495376	Tank-Fuel (2 Quart) Used on Type No(s). 0007, 0035, 0036, 0040, 0049, 0128, 0130, 0137. ----- Note -----	
82	690369	Screw (Gear Reduction Case) (7/8" Long)		127	691718	Plug-Welch (Carburetor Body)		495377	Tank-Fuel (2 Quart) Used on Type No(s). 0100, 0121, 0122, 0129, 0133, 0134, 0138, 0139, 0140, 0141, 0142, 1007, 1035, 1036, 1040, 1049, 1200, 1229, 1230, 1237, 1238, 1241, 1242, 1243, 1244, 1245, 1246, 1249. ----- Note -----	
82A	699164	Screw (Gear Reduction Case) (1 1/2" Long)		127A	691742	Plug-Welch (Mixing Chamber)	180B	495370	Tank-Fuel (1 Quart) Used on Type No(s). 1247.	
83	690374	Shaft-Auxiliary Drive		127B	691585	Plug-Welch (Gear Reduction Case)		188	692200	Screw (Control Bracket)
84	691121	Plug-Breather		130	691743	Valve-Throttle				
85	691127	Screw (Gear Cover to Gear Reduction Case)		141	497230	Kit-Choke Shaft (Used After Code Date 94092500).				
86	690608	Cover-Gear	141A	491177	Kit-Choke Shaft (Used Before Code Date 94092600).					
87	691582	Seal-Gear Reduction		147	691250	Jet-Pilot (Standard) ----- Note -----				
88	691600	Gasket-Gear Reduction Cover			499502	Jet-Pilot (High Altitude)				

★ Engine Gasket Set-Reference 358
● Carburetor Overhaul Kit-Reference 121

Ø Valve Gasket Set-Reference 1095

92200

REF. NO.	PART NO.	DESCRIPTION	REF. NO.	PART NO.	DESCRIPTION	REF. NO.	PART NO.	DESCRIPTION
190	691685	Screw (Fuel Tank) (2/3" Long)			692911 Spring– Governor (Yellow)	269	691026	Wire–Control (78" Long) (Cut to Required Length)
190A	692200	Screw (Fuel Tank) (3/4" Long)			Used on Type No(s). 1036, 1218, 1227, 1235.	270	691027	Nut (Control Wire Casing)
190B	691687	Screw (Fuel Tank) (1 3/4" Long)			692613 Spring– Governor (Brown)	271	691028	Lever–Control
191	★●692241	Gasket–Fuel Tank			Used on Type No(s). 1244.	275	691683	Screw (Throttle Control)
200	498770	Blade–Governor				280	691184	Bracket–Rod ----- Note -----
201	691822	Link–Air Vane	211	691289	Spring–Governed Idle			690424 Bracket–Rod
201A	691305	Link–Air Vane	216	690551	Link–Choke Used on Type No(s). 0118, 0121.			Used on Type No(s). 0008, 0127.
206	691771	Nut–Governor Adjusting				282	690320	Screw (Control Lever)
208	691821	Rod–Governor Control	216A	691824	Link–Choke	298	691720	Locknut–Muffler/Elbow
209	692205	Spring–Governor (No Color) ----- Note -----	216B	692904	Link–Choke	300	691360	Muffler
		690373 Spring– Governor (Stone Blue) Used on Type No(s). 0036, 0123, 0127, 0135, 0136, 0138.	217	691815	Spring–Choke Return	300A	493288	Muffler
		691785 Spring– Governor (Yellow) Used on Type No(s). 0128, 0141.	218	691722	Washer (Choke Link)	304	692622	Housing–Blower
		691825 Spring– Governor (Red) Used on Type No(s). 0118, 0137.	222	699132	Bracket–Control Used on Type No(s). 1008, 1035, 1036, 1040, 1049, 1200, 1218, 1227, 1229, 1237, 1241, 1242, 1243, 1244, 1245, 1247, 1249.	304A	693004	Housing–Blower ----- Note -----
		690563 Spring– Governor (White) Used on Type No(s). 0008, 0133, 0142, 1008, 1238, 1242, 1246, 1249.	224	690320	Screw (Collar/Screw Kit)			690665 Housing– Blower Used on Type No(s). 0007, 0122, 0137.
		692612 Spring– Governor (Black) Used on Type No(s). 1241.	262	690804	Screw (Rod Bracket)	305	692198	Screw (Blower Housing)
			265	691024	Clamp–Casing	306	690461	Shield–Cylinder
			266	691414	Control–Throttle	307	691660	Screw (Cylinder Shield)
			267	691082	Screw (Casing Clamp) (Carburetor) ----- Note -----	308	690462	Cover–Cylinder Head
					692577 Screw (Casing Clamp) (3/4" Long) Used on Type No(s). 1243, 1245, 1247.	325	690590	Pulley–Starter Rope Used on Type No(s). 0007, 0122, 0137.
			268	691025	Casing–Control Wire (72" Long) (Cut to Required Length) ----- Note -----	332	690662	Nut (Flywheel)
					691072 Casing– Control Wire (48" Long) (Cut to Required Length)	333	496914	Armature–Magneto
						334	691061	Screw (Magneto Armature)
						337	802592	Plug–Spark ----- Note -----
								492167 Plug–Spark Used on Type No(s). 0121, 0142, 0133.
						347	691396	Switch–Rocker
						351	90200	Screw (Ground Terminal)

★ Engine Gasket Set–Reference 358
● Carburetor Overhaul Kit–Reference 121

∅ Valve Gasket Set–Reference 1095

REF. NO.	PART NO.	DESCRIPTION	REF. NO.	PART NO.	DESCRIPTION	REF. NO.	PART NO.	DESCRIPTION
356	692390	Wire-Stop	542	691683	Screw (Link Bracket)	689	691783	Spring-Friction (Throttle Shaft)
356B	690791	Wire-Stop	552	690508	Bushing-Governor Crank	689A	692522	Spring-Friction (Governor Control Rod)
356C	695283	Wire-Stop	578	398153	Wire Assembly	689B	691855	Spring-Friction (Rewind Starter)
356D	691409	Wire-Stop	592	690800	Nut (Rewind Starter)	692	690572	Spring-Detent
356E	490346	Wire-Stop	594	691692	Screw (Starter Rope Pulley)	718	690959	Pin-Locating (Cylinder)
357	692191	Key-Drive Pulley Used on Type No(s). 0128.	597	691696	Screw (Pawl Friction Plate)	718A	499047	Pin-Locating (Crankshaft)
358	699933	Gasket Set-Engine	608	690101	Starter-Rewind (70" Rope)	718B	690296	Pin-Locating (Diaphragm Cover)
359	691077	Washer	611	690507	Pipe-Fuel (2 Quart Tank)	741	791124	Gear-Timing (Non Ball Bearing Crankshafts)
363	19069	Puller-Flywheel (Ground Terminal)	612	391813	Tube-Pick Up (2 And 3 Quart Tanks)	741A	691805	Gear-Timing (Ball Bearing Crankshafts)
365	690953	Screw (Carburetor)	613	691632	Screw (Muffler)	770	690098	Kit-Rewind/Blower Housing Used on Type No(s). 0007, 0122, 0137.
373	691612	Nut (Ground Terminal)	620	490649	Panel-Speed Control	773	697325	Retainer
383	89838	Wrench-Spark Plug	621	691941	Switch-Stop	779	691828	Link-Bell Crank
392	691823	Spring-Pump Diaphragm	621A	692310	Switch-Stop	780	691211	Anchor-Spring
393	691213	Screen-Carburetor	635	66538	Boot-Spark Plug	823	692336	Screw (Muffler)
394	●272538	Diaphragm-Carburetor	648	690661	Screw (Muffler Guard Bracket)	831	691099	Screw (Spring Anchor)
410	691274	Link-Control	648A	690664	Screw (Muffler Guard Bracket)	832	490571	Guard-Muffler
415	691363	Plug (Crankcase Cover/Sump)	669	690427	Bracket-Muffler Guard	832A	690789	Guard-Muffler
425	694515	Screw (Air Cleaner Cover)	669A	691194	Bracket-Muffler Guard	836	690367	Screw (Muffler Guard)
432	690766	Spring-Cap	676	393756	Deflector-Muffler	836A	690661	Screw (Muffler Guard)
434	691713	Cover-Diaphragm	676A	397931	Deflector-Muffler	836B	691683	Screw (Muffler Guard)
435	691619	Screw (Diaphragm Cover)	676B	393760	Deflector-Muffler	851	493880	Terminal-Spark Plug
445	491588	Filter-Air Cleaner Cartridge	676C	396548	Deflector-Muffler	864	690776	Adapter-Muffler
455	691236	Cup-Flywheel	677	690661	Screw (Muffler Deflector)	869	691701	Seat-Valve (Intake)
456	692299	Plate-Pawl Friction	678	490817	Spacer-Rewind	870	691702	Seat-Valve (Exhaust)
459	281505	Pawl-Ratchet	686	691186	Washer (Muffler Guard Bracket)	871	262001	Bushing-Valve Guide (Exhaust)
485	692295	Knob-Control						----- Note ----- 63709 Bushing-Valve Guide (Intake)
520	691084	Terminal-Ground						
527	691741	Clamp-Tube						
529	★692189	Grommet (90 Degree)						
529A	★692187	Grommet (45 Degree)						
536	494279	Air Cleaner						
541	690288	Washer (Speed Adjuster Lever)						
541A	690299	Washer (Speed Adjuster Lever)						
541B	691067	Washer (Speed Adjuster Lever) (Used In Place Of Stop Switch, Reference 621)						

★ Engine Gasket Set-Reference 358
● Carburetor Overhaul Kit-Reference 121

∅ Valve Gasket Set-Reference 1095

92200

REF. NO.	PART NO.	DESCRIPTION	REF. NO.	PART NO.	DESCRIPTION	REF. NO.	PART NO.	DESCRIPTION
883	★691314	Gasket-Exhaust	995	691756	Bracket-Link	1149	691624	Screw
883A	★691880	Gasket-Exhaust	1012	490507	Retainer-Link			(Throttle Shaft)
916	691900	Rack-Governor Gear	1036		Label-Emissions	1210	499901	Pulley/Spring
930	691348	Guard-Rewind			(Available from			Assembly
930A	690601	Guard-Rewind			Authorized			(Pulley)
957	494559	Cap-Fuel Tank			Briggs & Stratton	1211	499901	Pulley/Spring
967	491435	Filter-Pre Cleaner			Service Dealer)			Assembly
968	692321	Cover-Air Cleaner	1046	691337	Plug-Blower Housing			(Spring)
971	690370	Screw	1058	276346	Owner's Manual	1330	270962	Repair Manual
		(Air Cleaner Base	1095	699450	Gasket Set-Valve			
		to Carburetor)			(Used After Code Date			
987	692279	Seal-Throttle Shaft			03031900).			
987A	270167	Seal-Throttle Shaft			----- Note -----			
					498694 Gasket			
					Set-Valve			
					(Used Before Code			
					Date 03032000).			

★ Engine Gasket Set-Reference 358
 ● Carburetor Overhaul Kit-Reference 121

∅ Valve Gasket Set-Reference 1095